

## DESCRIPTION

AMC MODEL BT-10M18 IS A BIAS TEE DESIGNED FOR OPERATION BETWEEN THE 10 MHz TO 20 GHz FREQUENCY RANGE. THE SIZE IS 1.00" x 1.00" x 0.50".

## SPECIFICATIONS

- FREQUENCY RANGE: .....10 MHz TO 20 GHz
- INSERTION LOSS: .....1.2 dB MAXIMUM TO 18 GHz  
1.5 dB MAXIMUM TO 20 GHz
- BIAS ISOLATION: .....30 dB MINIMUM 0.3 TO 20 GHz  
20 dB MINIMUM 10 MHz TO 0.3 GHz
- VSWR: .....2.0:1 MAXIMUM
- DC CURRENT: .....1 AMP MAXIMUM
- DC VOLTAGE: .....50 VOLTS MAXIMUM
- RESISTANCE: .....1 OHM TYPICAL

## AVAILABLE OPTIONS:

- M: .....SMA MALE CONNECTOR AT INPUT AND FEMALE CONNECTOR AT OUTPUT.
- MM: .....SMA MALE CONNECTOR AT INPUT AND OUTPUT

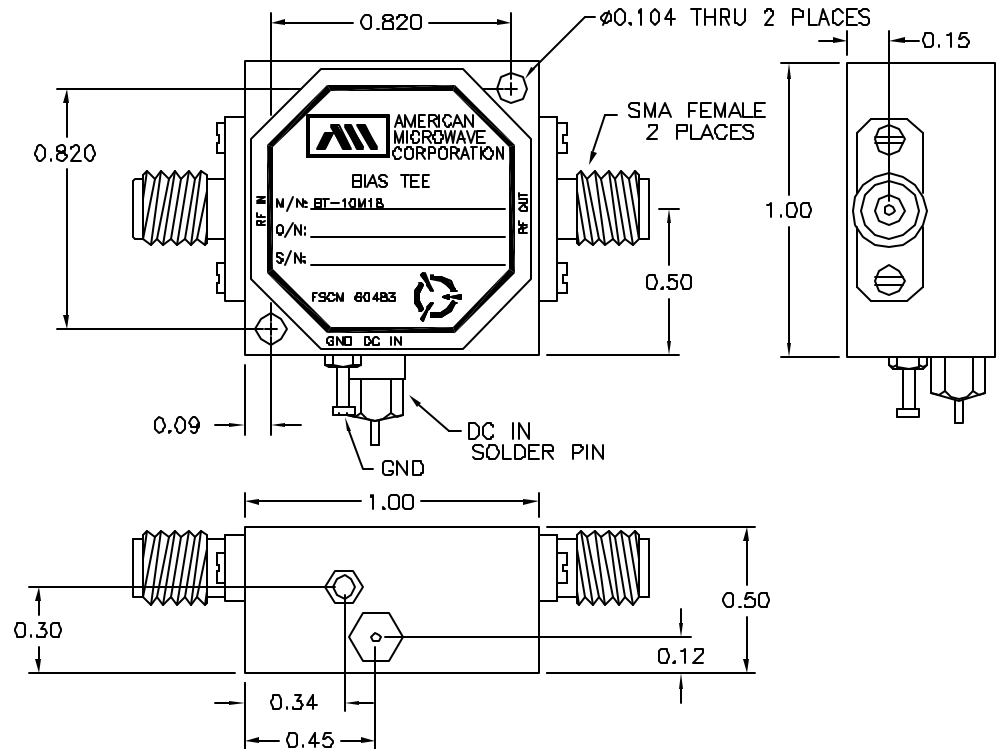
## ENVIRONMENTAL RATINGS:

- TEMPERATURE: .....-54°C TO +100°C (OPERATING)  
-65°C TO +100°C (STORAGE)
- HUMIDITY: .....MIL-STD-202F, METHOD 103B COND. B
- SHOCK: .....MIL-STD-202F, METHOD 213B COND. B
- VIBRATION: .....MIL-STD-202F, METHOD 204D COND. B
- ALTITUDE: .....MIL-STD-202F, METHOD 105C COND. B
- TEMPERATURE CYCLE: .....MIL-STD-202F, METHOD 107D COND. A

NOTE: SPECIFICATIONS WILL VARY OVER OPERATING TEMPERATURE  
NOTE: THE ABOVE SPECIFICATIONS ARE SUBJECT TO CHANGE OR REVISION

ALL DIMENSIONS ARE IN INCHES  
TOLERANCES:  
X.XX ±0.020  
X.XXX ±0.010

REVISIONS				
ZONE	REV.	DESCRIPTION	DATE	APPROVED
	-	ORIGINAL RELEASE	4/14/87	



## AMERICAN MICROWAVE CORPORATION

7311-G GROVE ROAD  
FREDERICK, MARYLAND 21704 USA  
TEL: 301-662-4700 FAX: 301-662-4938  
WEBSITE: [www.americanmicrowavecorp.com](http://www.americanmicrowavecorp.com)  
E-MAIL: [sales@americanmicrowavecorp.com](mailto:sales@americanmicrowavecorp.com)  
ISO 9001:2000 CERTIFIED



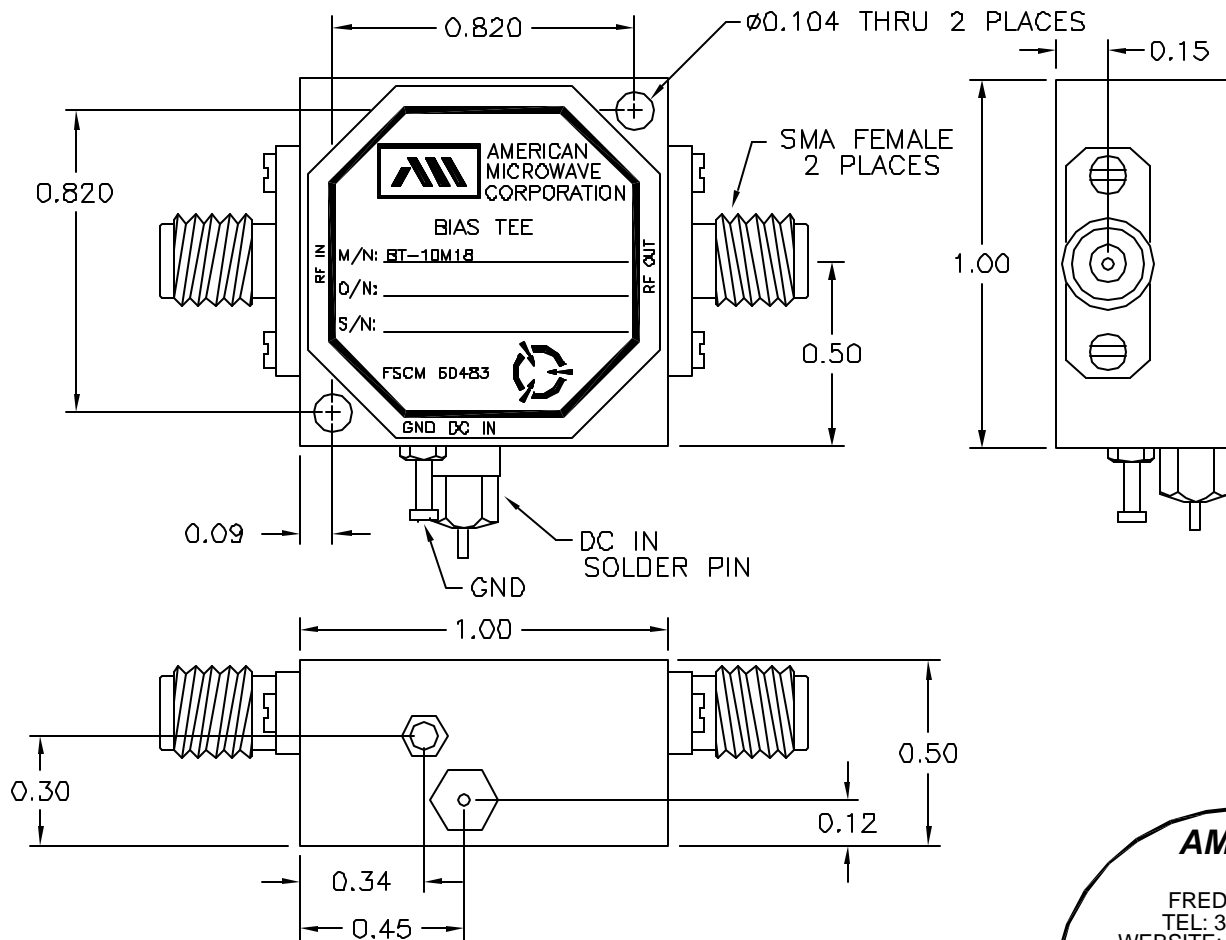
APPROVALS		DATE	TITLE		
DRAWN <i>BLB</i>		4/14/87	PRODUCT FEATURE BIAS TEE BT-10M18 10 MHz TO 20 GHz, BIAS TEE		
REDRAWN <i>JDJ</i>		5/4/05	SIZE A	FSCM NO. 60483	DWG NO. 100-4070
ISSUED			SCALE N:S	SHEET 1 OF 3	

# DESCRIPTION

AMC MODEL BT-10M18 IS A BIAS TEE DESIGNED FOR OPERATION BETWEEN THE 10 MHz TO 20 GHz FREQUENCY RANGE. THE SIZE IS 1.00" x 1.00" x 0.50".

REVISIONS				
ZONE	REV.	DESCRIPTION	DATE	APPROVED
	-	ORIGINAL RELEASE	4/14/97	

# MECHANICAL OUTLINE



ALL DIMENSIONS ARE IN INCHES  
TOLERANCES:  
X.XX ±0.020  
X.XXX ±0.010

## AMERICAN MICROWAVE CORPORATION

7311-G GROVE ROAD  
FREDERICK, MARYLAND 21704 USA  
TEL: 301-662-4700 FAX: 301-662-4938  
WEBSITE: [www.americanmicrowavecorp.com](http://www.americanmicrowavecorp.com)  
E-MAIL: [sales@americanmicrowavecorp.com](mailto:sales@americanmicrowavecorp.com)  
ISO 9001:2000 CERTIFIED



APPROVALS		DATE	TITLE			
DRAWN	<i>BJS</i>	4/14/97	MECHANICAL OUTLINE			
REDRAWN	<i>JDS</i>	5/4/05	BIAS TEE			
ISSUED			BT-10M18			
			10 MHz TO 20 GHz, BIAS TEE			
SCALE	N:S		SIZE	FSCM NO.	DWG NO.	REV.
			A	60483	100-4070	-
					SHEET	2 OF 3