

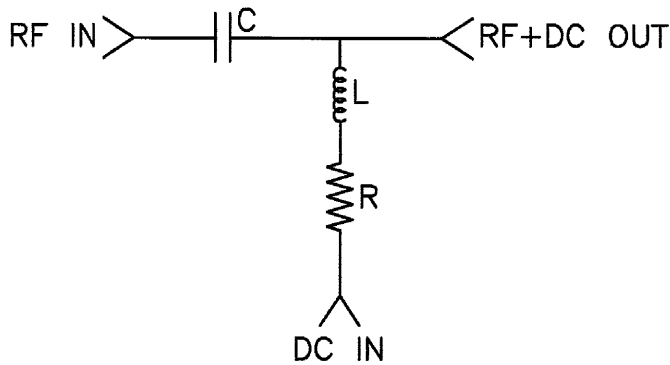
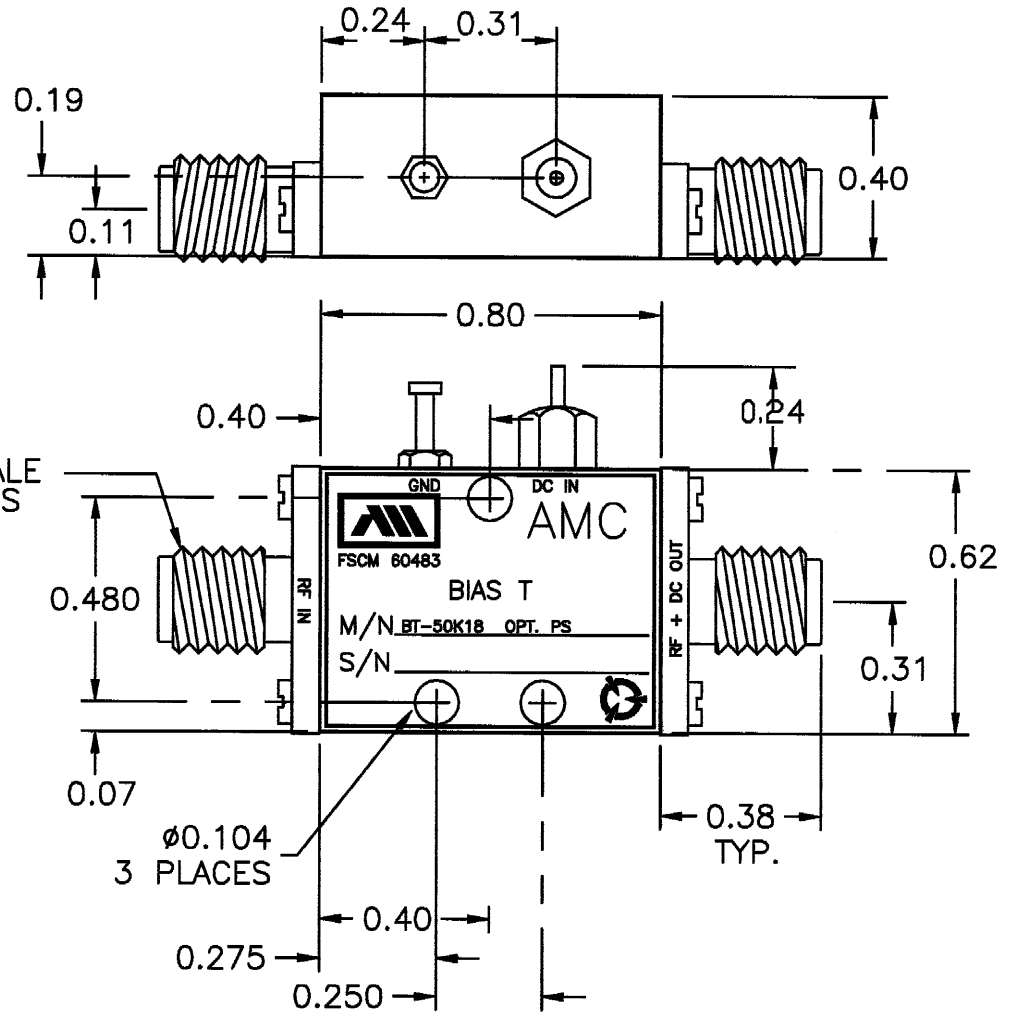
**DESCRIPTION:**

AMC MODEL BT-50K18 OPT. PS, RES IS A RESISTIVE BIAS T, DESIGNED FOR 50 kHz TO 18 GHz FREQUENCY RANGE. IT IS USABLE TO 15 kHz.

**SPECIFICATIONS:**

- FREQUENCY: ..... 50 kHz TO 18 GHz
- INSERTION LOSS: ... 0.75 dB TYPICAL (1.0 dB MAX.)
- VSWR: ..... 1.75:1 TYPICAL (1.5:1 MAX.)
- ISOLATION: ..... 60 dB MIN. (10 MHz TO 18 GHz)
- SERIES RESISTANCE: .500 OHMS MAX.
- MAX. DC VOLTAGE: .15 V
- SIZE: ..... 0.80" (L) x 0.62" (W) x 0.40" (H)
- WEIGHT: ..... 0.75 OZ. TYPICAL

REVISIONS				
ZONE	REV.	DESCRIPTION	DATE	APPROVED
	-	ORIGINAL RELEASE	1/17/99	



ALL DIMENSIONS ARE IN INCHES  
 TOLERANCES:  
 X.XX ±0.010  
 X.XXX ±0.005

APPROVALS		DATE	AMERICAN MICROWAVE CORPORATION FREDERICK, MARYLAND		
DRAWN		1/17/99	TITLE		
CHECKED			OUTLINE		
ISSUED			BT-50K18 OPT. PS, RES		
SIZE	FSCM NO.	DWG NO.	REV.		
A	60483	100-4897-2	-		
SCALE 2.5:1			SHEET 1 of 2		