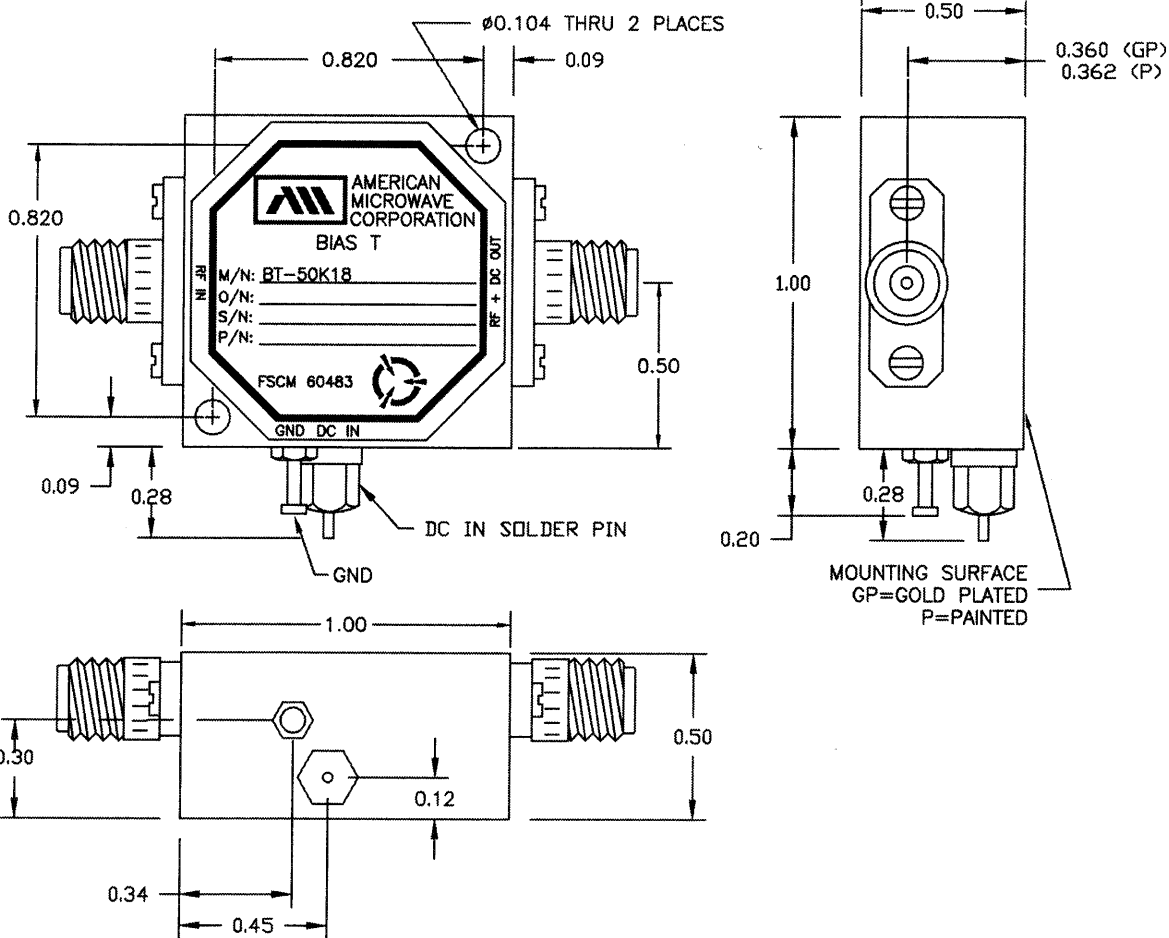
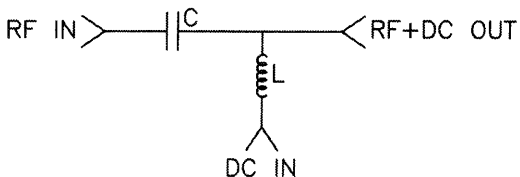


DESCRIPTION:

AMC MODEL BT-50K18 IS AN INDUCTIVE BIAS T, DESIGNED FOR 50 kHz TO 18 GHz FREQUENCY RANGE. IT IS USABLE TO 15 kHz.

SPECIFICATIONS:

- FREQUENCY: 50 kHz TO 18 GHz
- INSERTION LOSS: 0.75 dB TYPICAL (1.0 dB MAX.)
- VSWR: 1.75:1 TYPICAL (2.0:1 MAX.)
- ISOLATION: 60 dB MIN. (10 MHz - 18 GHz)
- SERIES RESISTANCE: 2.5 OHMS MAX.
- MAX. DC VOLTAGE: 15 V
- MAX. DC CURRENT: 200 mA
- SIZE: 1.00" (L) x 1.00" (W) x 0.50" (H)
- WEIGHT: 1.0 OZ. TYPICAL



REVISIONS			DATE	APPROVED
ZONE	REV.	DESCRIPTION		
-	-	ORIGINAL RELEASE	7/7/99	

ENVIRONMENTAL RATINGS

- TEMPERATURE: -55°C TO +85°C (OPERATING)
-65°C TO +125°C (STORAGE)
- HUMIDITY: MIL-STD-202F, METHOD 103B COND. B
- SHOCK: MIL-STD-202F, METHOD 213B COND. B
- VIBRATION: MIL-STD-202F, METHOD 204D COND. B
- ALTITUDE: MIL-STD-202F, METHOD 105C COND. B
- TEMPERATURE CYCLE: MIL-STD-202F, METHOD 107D COND. A

ALL DIMENSIONS ARE IN INCHES TOLERANCES:

- X.XX ±0.020
- X.XXX ±0.010

M/N = MANUFACTURER PART NUMBER
O/N = OPTION NUMBER
S/N = SERIAL NUMBER
P/N = PART NUMBER

NOTE: THE ABOVE SPECIFICATIONS ARE SUBJECT TO CHANGE OR REVISION

APPROVALS		DATE	AMERICAN MICROWAVE CORPORATION FREDERICK, MARYLAND		
DRAWN	FR	7/7/99	TITLE OUTLINE DRAWING BT-50K18		
CHECKED	RP	7/17/99	SIZE	FSCM NO.	DWG NO.
ISSUED	WP	8/17/99	A	60483	100-4896-1
			SCALE	N/S	SHEET 1 of 2