

DESCRIPTION:

AMC MODEL NUMBER VVAN-8018-100 IS A VOLTAGE CONTROLLED ATTENUATOR MODULE. DESIGNED FOR THE 8 GHz TO 12 GHz FREQUENCY RANGE WITH 5.5 dB INSERTION LOSS, <1 mSec SWITCHING SPEED AND +12VDC POWER SUPPLY. WITH THE CONTROL VOLTAGE FROM 0-8 VOLTS @ 100 dB ATTENUATION.

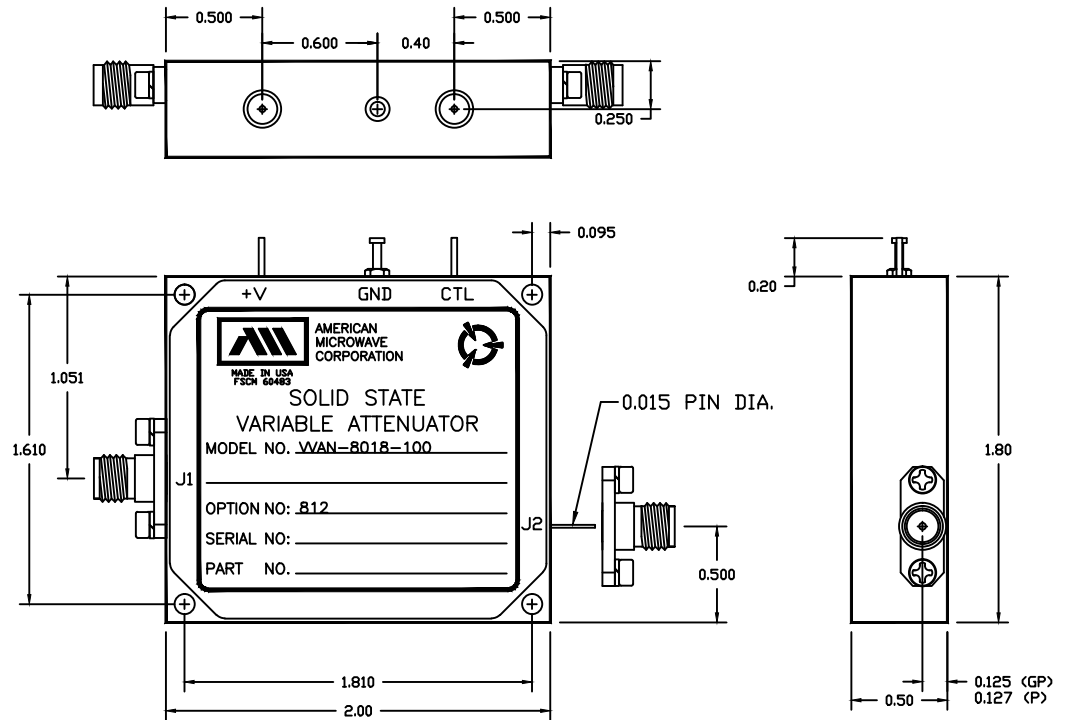
ZONE		REV.	DESCRIPTION	DATE	APPROVED
		A	ER # 009-21	3/5/21	RRA

SPECIFICATIONS:

- FREQUENCY RANGE: 8 GHz TO 12 GHz
- INSERTION LOSS: 5.5 dB MAXIMUM
- VSWR: 2.0:1
- TRANSFER FUNCTION: 10 dB/V
- CONTROL VOLTAGE: 0-8 VOLTS @ 80 dB ATTENUATION
- SWITCHING SPEED: <1 mSec
- FLATNESS: @ 10 dB: ± 0.8 dB MAXIMUM
 @ 20 dB: ± 1.1 dB MAXIMUM
 @ 40 dB: ± 1.5 dB MAXIMUM
 @ 60 dB: ± 1.6 dB MAXIMUM
 @ 80 dB: ± 2.0 dB MAXIMUM
 @ 100 dB: ± 3.0 dB MAXIMUM
- ACCURACY: 0-30 dB: ± 0.5 dB MAXIMUM
 >30-50 dB: ± 1.0 dB MAXIMUM
 >50-60 dB: ± 1.5 dB MAXIMUM
 >60-80 dB: ± 2.0 dB MAXIMUM
 >80-100 dB: ± 2.5 dB MAXIMUM
- POWER SUPPLY: + 12 VDC @ +125 mA
- CONNECTORS: REMOVABLE SMA FEMALE
- SIZE: 2.00 (L) X 1.80 (H) X 0.50 (W)

OPTIONS:

- 812 = 8.0 - 12.0 GHz FREQUENCY RANGE



CONFIDENTIAL AND PROPRIETARY

ENVIRONMENTAL RATINGS

- TEMPERATURE -55°C TO +85°C (OPERATING)
 -65°C TO +125°C (STORAGE)
- HUMIDITY MIL-STD-202F, METHOD 103B COND. B
- SHOCK MIL-STD-202F, METHOD 213B COND. B
- VIBRATION MIL-STD-202F, METHOD 204D COND. B
- ALTITUDE MIL-STD-202F, METHOD 105C COND. B
- TEMPERATURE CYCLE MIL-STD-202F, METHOD 107D COND. A

ALL DIMENSIONS ARE IN INCHES
 TOLERANCES:
 X.XX ±0.010
 X.XXX ±0.005

PART NO.		AMERICAN MICROWAVE CORPORATION FREDERICK, MARYLAND			
APPROVALS	DATE	TITLE			
DRAWN	RJW	2/12/21	PRODUCT FEATURE		
ENG.	RRA	2/12/21	VVAN-8018-100		
QAE	RRA	2/12/21	OPTION 812		
SIZE	FSCM NO.	DWG NO.	REV.		
A	60483	100-9225	A		
SCALE N: S			SHEET 1 of 1		