

DESCRIPTION

AMC MODEL AGHN-0910-60DDSF IS AN ULTRA HIGH SPEED OCTAVE BAND ATTENUATOR/MODULATOR, PROGRAMMABLE BY 8 BIT POSITIVE TRUE BINARY LOGIC.

SPECIFICATIONS

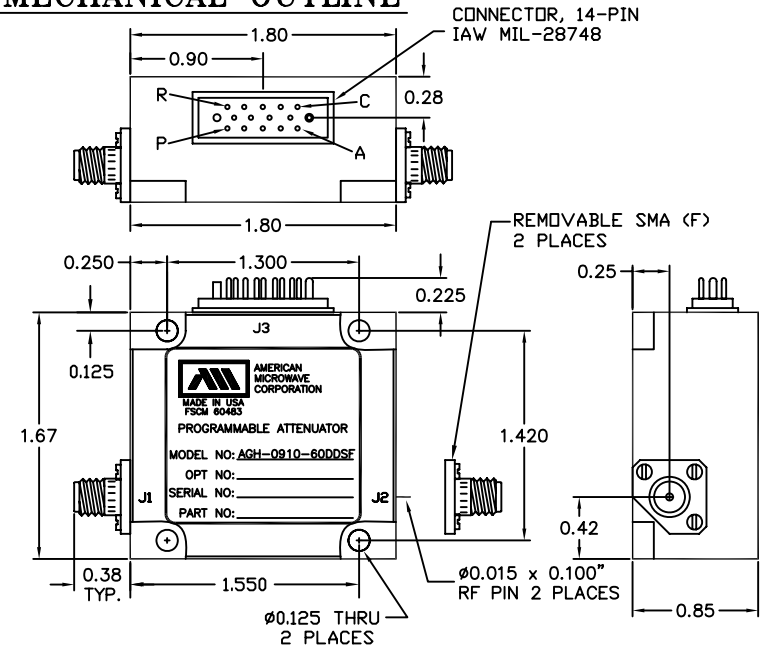
- FREQUENCY RANGE 9 - 10 GHz MINIMUM
- INSERTION LOSS 2.8 dB MAXIMUM
- ATTENUATION ACCURACY 0-60dB $\pm 0.5 + 2\%$ OF ATTENUATION VALUE @25°C MAXIMUM.
60-63.75dB $\pm 1.0 + 2\%$ OF ATTENUATION VALUE @ 25°C MAXIMUM.
- ACCURACY VARIATION: ± 0.75 dB + 2% @ 25°C MAXIMUM
- SWITCHING TIME 500nS MAXIMUM
- TEMPERATURE COEFFICIENT ± 0.01 dB/°C
- VSWR (ON/OFF) 1.8:1 MAXIMUM
- POWER RATINGS
OPERATING +20dBm MAXIMUM
SURVIVAL +30dBm MAXIMUM
- CONTROL 8 BIT POSITIVE TRUE TTL BINARY LOGIC, 0.25dB MINIMUM ATTENUATION STEPS (SEE PIN FUNCTION TABLE)
- POWER SUPPLY +15VDC @ 195mA MAXIMUM
-15VDC @ 95mA MAXIMUM
- CONNECTORS
RF INPUT/OUTPUT FIELD REPLACEABLE SMA (FEMALE)
POWER AND CONTROLS MINATURE 14 PIN MALE (MIL-28748), MATING CONNECTOR (FEMALE) FURNISHED
- SIZE 1.80" x 1.67" x 0.85"

AVAILABLE OPTIONS

- A01 J1 SMA MALE, J2 SMA FEMALE
- A02 TWO SMA MALE CONNECTORS
- A03 MINIATURE 15 PIN, MALE CONNECTOR (MDM15SSP)
- A04 ULTRA HIGH SPEED (70nS ON/OFF TIME)

J3	PIN	FUNCTION
PIN	FUNCTION	
A	N/C	
B	GND	
C	0.25dB	
D	0.5dB	
E	N/C	
F	1.0dB	
H	2.0dB	
J	4.0dB	
K	8.0dB	
L	16.0dB	
M	32.0dB	
N	GND	
P	+15	
R	-15	


MECHANICAL OUTLINE



- NOTES:
- 1) DIMENSIONS ARE IN INCHES
 - 2) TOLERANCES: X.XX ± 0.020
X.XXX ± 0.010
 - 3) WEIGHT: APPROX. 3.4 OZ

ENVIRONMENTAL RATINGS

- TEMPERATURE -55°C TO +85°C (OPERATING)
-65°C TO +125°C (STORAGE)
- HUMIDITY MIL-STD-202F, METHOD 103B COND. B
- SHOCK MIL-STD-202F, METHOD 213B COND. B
- VIBRATION MIL-STD-202F, METHOD 204D COND. B
- ALTITUDE MIL-STD-202F, METHOD 105C COND. B
- TEMPERATURE CYCLE MIL-STD-202F, METHOD 107D COND. A

		AMERICAN MICROWAVE CORPORATION 7311G GROVE RD., FREDERICK, MD. 21701 TEL: (301) 662-4700 FAX: (301) 662-4938	
APPROVALS	DATE	PRODUCT FEATURE	
DRAWN <i>KMS</i>	5/8/08	AGHN-0910-60DDSF	
CHECKED		ULTRA HIGH SPEED, 9 TO 10 GHz PROGRAMMABLE ATTENUATOR	
		SIZE A	SHEET 1 OF 2
			DWG. # 100-7780

REVISIONS				
ZONE	REV.	DESCRIPTION	DATE	APPROVED
	-	ORIGINAL RELEASE JOB# 805070XE	5/8/08	