

DESCRIPTION

AMC MODEL AGTN-2000-60DD OPTION: 02505 IS A HIGH SPEED, VARIABLE ATTENUATOR/MODULATOR, CONTROLLED BY 8 BIT POSITIVE TRUE BINARY LOGIC, IT IS DESIGNED TO OPERATE BETWEEN THE 0.25 TO 0.5 GHz FREQUENCY RANGE.

SPECIFICATIONS

- FREQUENCY RANGE: 0.25 TO 0.5 GHz
- INSERTION LOSS: 2.5 dB MAXIMUM
- ATTENUATION FLATNESS: 0-30 dB ± 0.5 dB MAXIMUM (± dB MAXIMUM) 30-50 dB ± 1.5 dB MAXIMUM 50-60 dB ± 2.5 dB MAXIMUM
- ATTENUATION ACCURACY: 0-10 dB ± 2.0 dB MAXIMUM 10-20 dB ± 1.0 dB MAXIMUM 20-50 dB ± 1.5 dB MAXIMUM 50-60 dB ± 2.0 dB MAXIMUM
- SWITCHING TIME: 1 uSec (500 nSec GOAL)
- VSWR: 2.0:1 MAXIMUM, 1.75 TYPICAL (@ 0 dB ATTENUATION)
- RF POWER RATINGS: OPERATING: +10 dBm CW MAXIMUM +20 dBm TYPICAL SURVIVAL: +30 dBm CW MAXIMUM
- CONTROL: 8 BIT TRUE BINARY LOGIC
- POWER SUPPLY: +12 VDC @ 250 mA MAXIMUM (210 mA TYPICAL) -12 VDC @ 50 mA MAXIMUM (30 mA TYPICAL)
- CONNECTORS: RF INPUT/OUTPUT: SMA FEMALE POWER AND CONTROLS: 15 PIN D SUBMINIATURE (MALE) MATING CONNECTOR FURNISHED
- SIZE: 2.00" x 1.81" x 0.88"

OPTIONS:

- 02505: 0.25 TO 0.5 GHz FREQUENCY RANGE

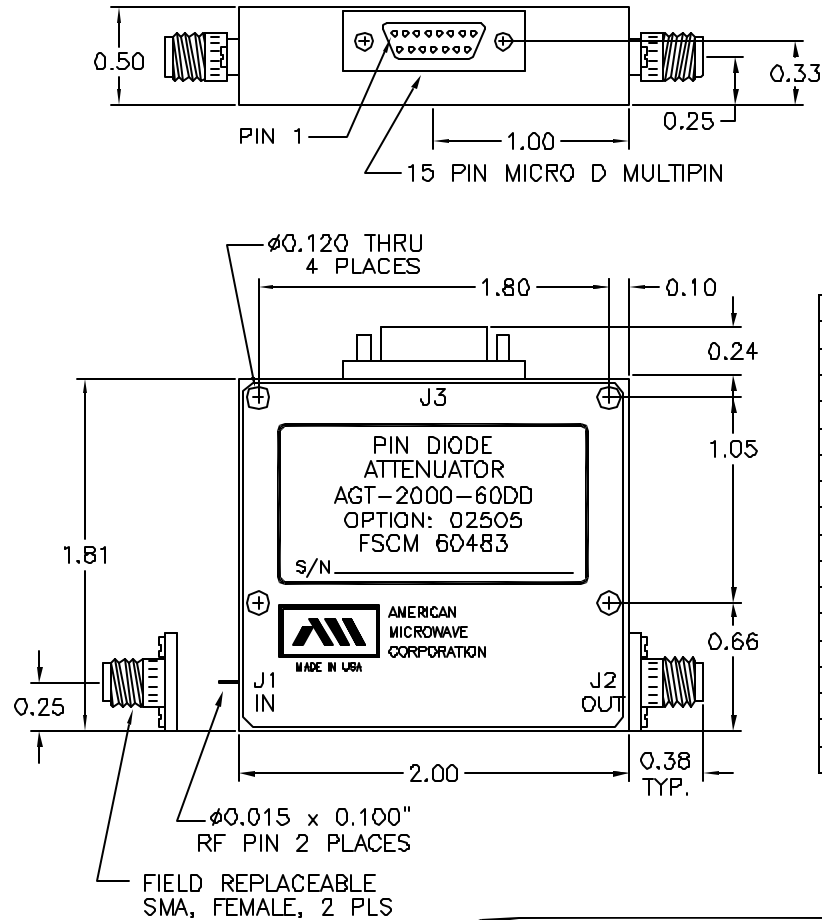
ENVIRONMENTAL RATINGS:

- TEMPERATURE: -55°C TO +125°C (OPERATING) -65°C TO +125°C (STORAGE)
- HUMIDITY: MIL-STD-202F, METHOD 103B COND. B
- SHOCK: MIL-STD-202F, METHOD 213B COND. B
- VIBRATION: MIL-STD-202F, METHOD 204D COND. B
- ALTITUDE: MIL-STD-202F, METHOD 105C COND. B
- TEMPERATURE CYCLE: MIL-STD-202F, METHOD 107D COND. A

NOTE: SPECIFICATIONS WILL VARY OVER OPERATING TEMPERATURE
NOTE: THE ABOVE SPECIFICATIONS ARE SUBJECT TO CHANGE OR REVISION

ALL DIMENSIONS ARE IN INCHES
TOLERANCES:
XXX ±0.020
XXX ±0.010

REVISIONS				
ZDWE	REV.	DESCRIPTION	DATE	APPROVED
-		ORIGINAL RELEASE JOB# 509209X	10/8/05	



8 BIT TRUE BINARY LOGIC J3 PIN FUNCTIONS	
PIN NO.	FUNCTIONS.
1	GND
2	N/C *
3	N/C *
4	GND
5	0.25 dB (LSB)
6	0.5 dB
7	1.0 dB
8	2.0 dB
9	4.0 dB
10	8.0 dB
11	16.0 dB
12	32.0 dB
13	+V
14	-V
15	N/C *

* N/C = NO CONNECTION

AMERICAN MICROWAVE CORPORATION

7311-G GROVE ROAD
FREDERICK, MARYLAND 21704 USA
TEL: 301-662-4700 FAX: 301-662-4938
WEBSITE: www.americanmicrowavecorp.com
E-MAIL: sales@americanmicrowavecorp.com
ISO 9001:2000 CERTIFIED

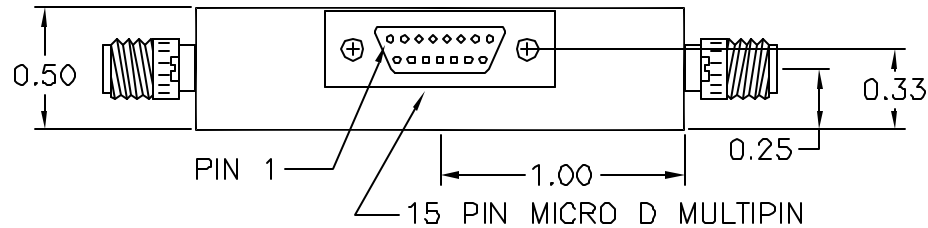


APPROVALS		DATE	TITLE		
DRAWN <i>FDS</i>		10/9/05	PRODUCT FEATURE AGTN-2000-60DD OPTION: 02505		
CHECKED			SIZE	FSCM NO.	DWG NO.
ISSUED			A	60483	100-7512
			SCALE	SHEET	
			N:S	1 OF 4	

DESCRIPTION

AMC MODEL AGTN-2000-60DD OPTION: 02505 IS A HIGH SPEED, VARIABLE ATTENUATOR/MODULATOR, CONTROLLED BY 8 BIT POSITIVE TRUE BINARY LOGIC, IT IS DESIGNED TO OPERATE BETWEEN THE 0.25 TO 0.5 GHz FREQUENCY RANGE.

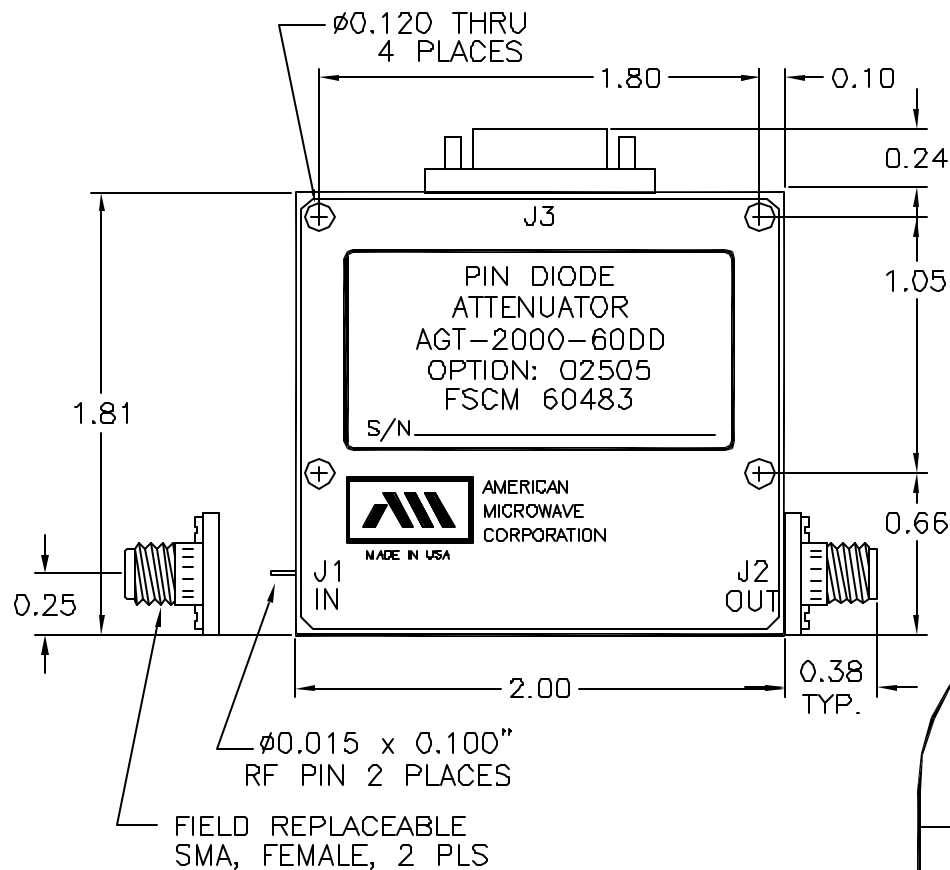
REVISIONS				
ZONE	REV.	DESCRIPTION	DATE	APPROVED
	-	ORIGINAL RELEASE JOB# 509209X	10/8/05	



MECHANICAL OUTLINE

8 BIT TRUE BINARY LOGIC J3 PIN FUNCTIONS	
PIN NO.	FUNCTIONS.
1	GND
2	N/C *
3	N/C *
4	GND
5	0.25 dB (LSB)
6	0.5 dB
7	1.0 dB
8	2.0 dB
9	4.0 dB
10	8.0 dB
11	16.0 dB
12	32.0 dB
13	+V
14	-V
15	N/C *

* N/C = NO CONNECTION



AMERICAN MICROWAVE CORPORATION

7311-G GROVE ROAD
FREDERICK, MARYLAND 21704 USA
TEL: 301-662-4700 FAX: 301-662-4938
WEBSITE: www.americanmicrowavecorp.com
E-MAIL: sales@americanmicrowavecorp.com
ISO 9001:2000 CERTIFIED



ALL DIMENSIONS ARE IN INCHES
TOLERANCES:
X.XX ±0.020
X.XXX ±0.010

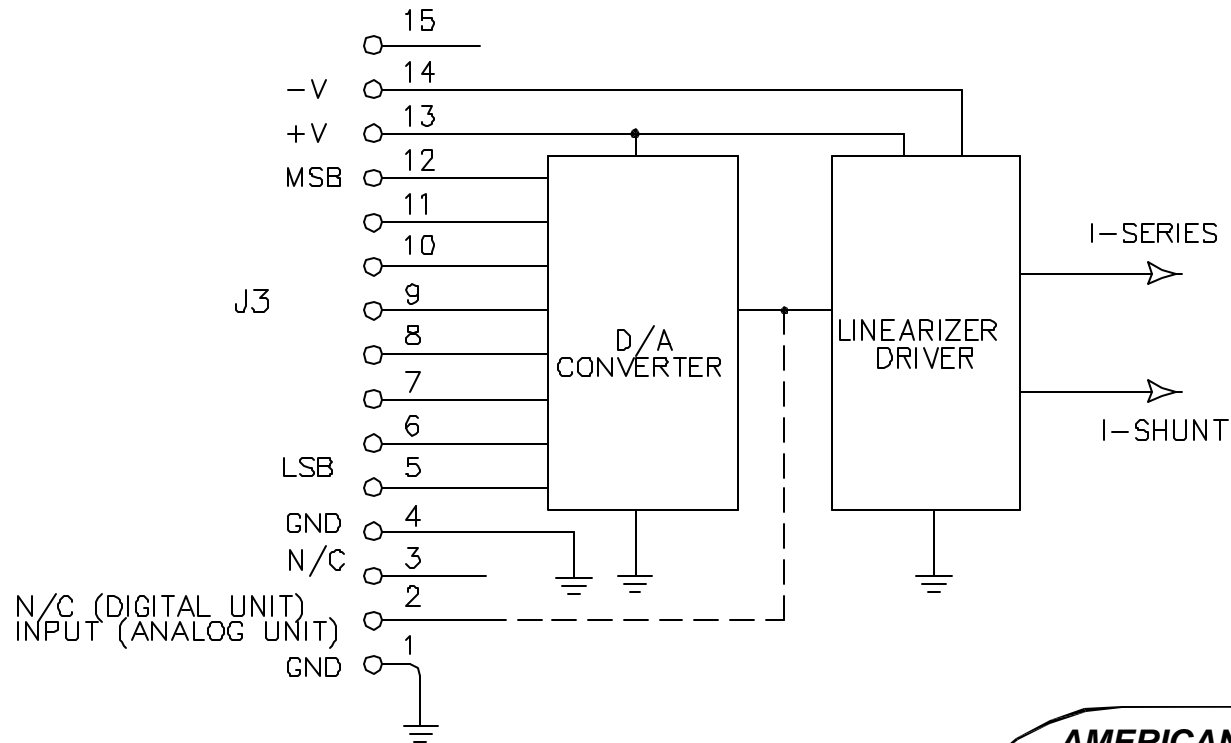
APPROVALS		DATE	TITLE		
DRAWN	<i>FDS</i>	10/8/05	MECHANICAL OUTLINE AGTN-2000-60DD OPTION: 02505		
CHECKED			0.25-0.5 GHz, HIGH SPEED PROGRAMMABLE VARIABLE ATTENUATOR	SIZE	FSCM NO.
ISSUED			A	60483	DWG NO.
					100-7512
			SCALE	N:S	SHEET
					2 OF 4

DESCRIPTION

AMC MODEL AGTN-2000-60DD OPTION: 02505 IS A HIGH SPEED, VARIABLE ATTENUATOR/MODULATOR, CONTROLLED BY 8 BIT POSITIVE TRUE BINARY LOGIC, IT IS DESIGNED TO OPERATE BETWEEN THE 0.25 TO 0.5 GHz FREQUENCY RANGE.

REVISIONS				
ZONE	REV.	DESCRIPTION	DATE	APPROVED
	-	ORIGINAL RELEASE JOB# 509209X	10/8/05	

FUNCTIONAL BLOCK DIAGRAM



AMERICAN MICROWAVE CORPORATION

7311-G GROVE ROAD
 FREDERICK, MARYLAND 21704 USA
 TEL: 301-662-4700 FAX: 301-662-4938
 WEBSITE: www.americanmicrowavecorp.com
 E-MAIL: sales@americanmicrowavecorp.com
 ISO 9001:2000 CERTIFIED



APPROVALS		DATE	TITLE	
DRAWN		10/8/05	FUNCTIONAL BLOCK DIAGRAM AGTN-2000-60DD OPTION: 02505	
CHECKED			0.25-0.5 GHz, HIGH SPEED PROGRAMMABLE VARIABLE ATTENUATOR	
ISSUED			SIZE A	REV. -
			FSCM NO. 60483	DWG NO. 100-7512
			SCALE N:S	SHEET 3 OF 4