

## DESCRIPTION

AMC MODEL AGTN-2018-60DD-100 OPT. 054, A07 IS A BROAD BAND VARIABLE ATTENUATOR / MODULATOR, CONTROLLED BY 8 BIT POSITIVE TRUE BINARY LOGIC.

REVISIONS				
ZONE	REV.	DESCRIPTION	DATE	APPROVED
-	-	ORIGINAL RELEASE JOB# 410251	11/30/04	

## SPECIFICATIONS

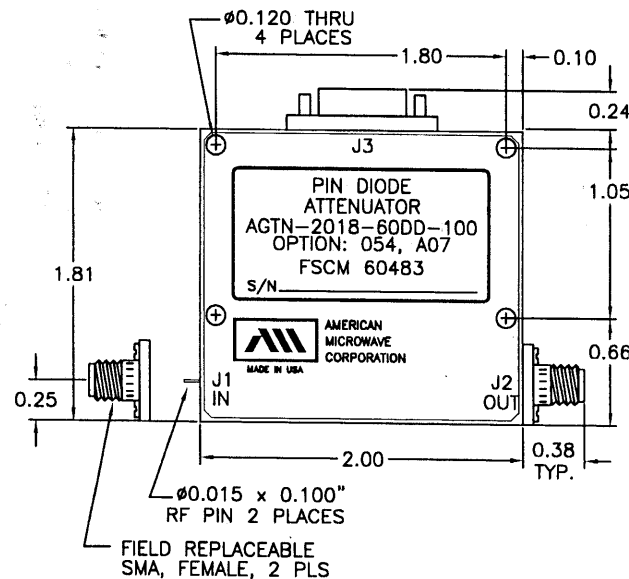
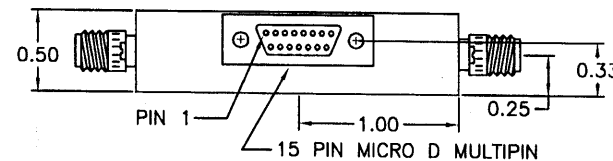
- FREQUENCY RANGE ..... 0.5 - 4.0 GHz MINIMUM
- INSERTION LOSS ..... 4.5 dB MAXIMUM
- ATTENUATION FLATNESS (± dB MAXIMUM) .....
 

0-30 dB ±1.0 dB MAXIMUM
30-40 dB ±2.0 dB MAXIMUM
40-50 dB ±3.0 dB MAXIMUM
50-60 dB ±5.5 dB MAXIMUM
- ATTENUATION ACCURACY .....
 

0-10 dB ±2.0 dB MAXIMUM
10-20 dB ±1.0 dB MAXIMUM
20-40 dB ±1.5 dB MAXIMUM
40-60 dB ±2.0 dB MAXIMUM
- SWITCHING TIME ..... <1 μsec (500 nsec TYPICAL)
- VSWR ..... 2.2:1 MAXIMUM
- RF POWER RATINGS
 

OPERATING	+20 dBm CW MAXIMUM
	+10 dBm (0.3 GHz OR BELOW)
SURVIVAL	+30 dBm CW MAXIMUM
	+27 dBm (0.3 GHz OR BELOW)
- CONTROL ..... 8 BIT TRUE BINARY LOGIC
- POWER SUPPLY ..... +12VDC @ 250 mA MAXIMUM, 210mA TYPICAL
- CONNECTORS
 

RF INPUT/OUTPUT	SMA FEMALE
POWER AND CONTROLS	15 PIN MICRO-D SUBMINIATURE (MALE)
	MATING CONNECTOR FURNISHED
- SIZE ..... 2.00" x 1.81" x 0.50"



8 BIT TRUE BINARY LOGIC	
J3 PIN FUNCTIONS	
PIN NO.	FUNCTIONS.
1	GND
2	N/C *
3	N/C *
4	GND
5	0.25 dB (LSB)
6	0.5 dB
7	1.0 dB
8	2.0 dB
9	4.0 dB
10	8.0 dB
11	16.0 dB
12	32.0 dB
13	+V
14	-V
15	N/C *

\* N/C = NO CONNECTION

## AVAILABLE OPTIONS

- A07 ..... Extended Frequency Range
- 054 ..... 0.5-4 GHz FREQUENCY RANGE

## ENVIRONMENTAL RATINGS

- TEMPERATURE: ..... -55°C TO +125°C (OPERATING)  
..... -65°C TO +125°C (STORAGE)
- HUMIDITY: ..... MIL-STD-202F, METHOD 103B COND. B
- SHOCK: ..... MIL-STD-202F, METHOD 213B COND. B
- VIBRATION: ..... MIL-STD-202F, METHOD 204D COND. B
- ALTITUDE: ..... MIL-STD-202F, METHOD 105C COND. B
- TEMPERATURE CYCLE: ..... MIL-STD-202F, METHOD 107D COND. A

NOTE: SPECIFICATIONS WILL VARY OVER OPERATING TEMPERATURE  
NOTE: THE ABOVE SPECIFICATIONS ARE SUBJECT TO CHANGE OR REVISION

ALL DIMENSIONS ARE IN INCHES  
TOLERANCES:  
X.XX ±0.010  
X.XXX ±0.005

## AMERICAN MICROWAVE CORPORATION

7311-G GROVE ROAD  
FREDERICK, MARYLAND 21704 USA  
TEL: 301-662-4700 FAX: 301-662-4938  
WEBSITE: [www.americamicrowavecorp.com](http://www.americamicrowavecorp.com)  
E-MAIL: [sales@americamicrowavecorp.com](mailto:sales@americamicrowavecorp.com)  
ISO 9001:2000 CERTIFIED

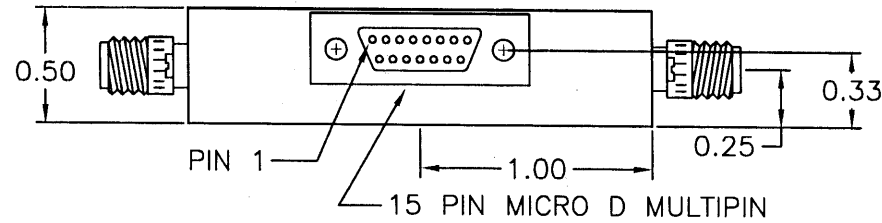


APPROVALS		DATE	TITLE		
DRAWN	<i>FJM</i>	11/30/04	PRODUCT FEATURE AGTN-2018-60DD-100 OPTION: 054, A07 0.5-4 GHz, PROGRAMMABLE VARIABLE ATTENUATOR		
CHECKED	<i>[Signature]</i>	11/12/05	SIZE	FSCM NO.	DWG NO.
ISSUED			A	60483	100-7212
			SCALE	N:S	SHEET 1 OF 3

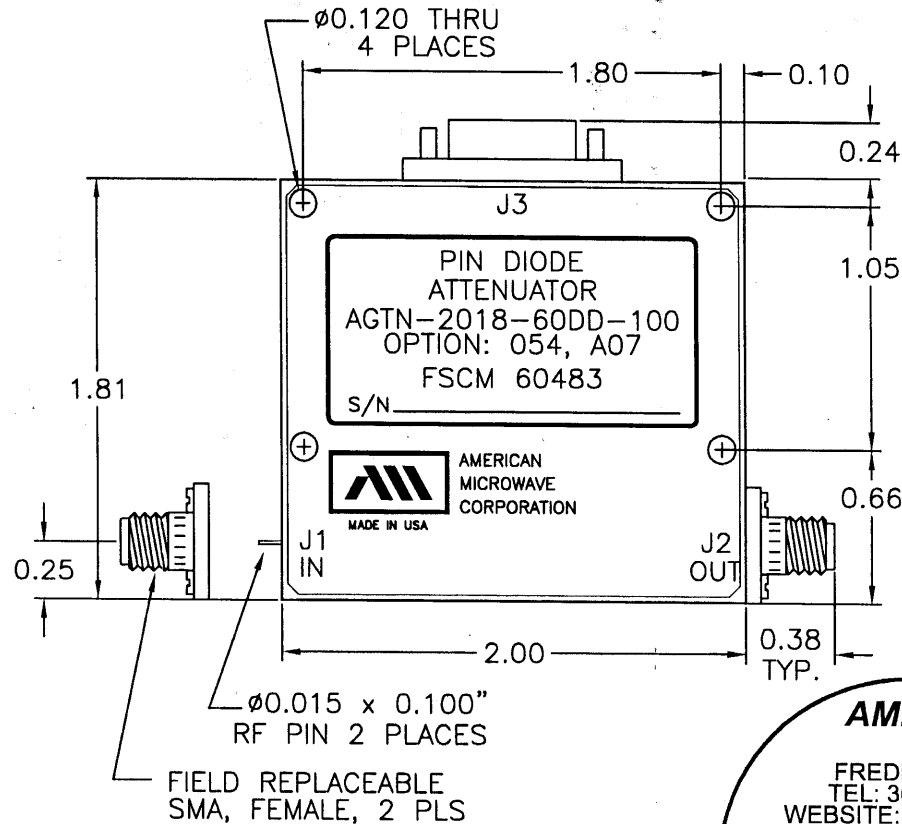
# DESCRIPTION

AMC MODEL AGTN-2018-60DD-100 OPT. 054, A07 IS A BROAD BAND VARIABLE ATTENUATOR / MODULATOR, CONTROLLED BY 8 BIT POSITIVE TRUE BINARY LOGIC.

ZONE		REV.	DESCRIPTION	DATE	APPROVED
		-	ORIGINAL RELEASE JOB# 410251	11/30/04	



# MECHANICAL OUTLINE



8 BIT TRUE BINARY LOGIC J3 PIN FUNCTIONS	
PIN NO.	FUNCTIONS.
1	GND
2	N/C *
3	N/C *
4	GND
5	0.25 dB (LSB)
6	0.5 dB
7	1.0 dB
8	2.0 dB
9	4.0 dB
10	8.0 dB
11	16.0 dB
12	32.0 dB
13	+V
14	-V
15	N/C *

\* N/C = NO CONNECTION

## AMERICAN MICROWAVE CORPORATION

7311-G GROVE ROAD  
 FREDERICK, MARYLAND 21704 USA  
 TEL: 301-662-4700 FAX: 301-662-4938  
 WEBSITE: [www.americanmicrowavecorp.com](http://www.americanmicrowavecorp.com)  
 E-MAIL: [sales@americanmicrowavecorp.com](mailto:sales@americanmicrowavecorp.com)  
 ISO 9001:2000 CERTIFIED



ALL DIMENSIONS ARE IN INCHES  
 TOLERANCES:  
 X.XX ±0.010  
 X.XXX ±0.005

APPROVALS		DATE	TITLE		
DRAWN	<i>FSCM</i>	11/30/04	MECHANICAL OUTLINE AGTN-2018-60DD-100 OPTION: 054, A07		
CHECKED	<i>fr</i>	11/30/04	0.5-4 GHz, PROGRAMMABLE VARIABLE ATTENUATOR		
ISSUED			SIZE	FSCM NO.	DWG NO.
			A	60483	100-7212
			SCALE	N:S	SHEET 2 OF 3