

DESCRIPTION:

AMC MODEL SWM-DJV-1DT-2ATT OPTION 100M18, B01 & LVT IS A SINGLE POLE SINGLE THROW, NON-REFLECTIVE/ABSORPTIVE SWITCH MODULE WITH VERY LOW VIDEO TRANSIENTS, ULTRA HIGH SPEED, HIGH ISOLATION, AND WITH INTEGRAL TTL DRIVER, DESIGNED FOR 100MHZ TO 18GHZ OPERATION.

REVISIONS				
ZONE	REV.	DESCRIPTION	DATE	APPROVED
	A	ORIGINAL RELEASE	10/31/08	

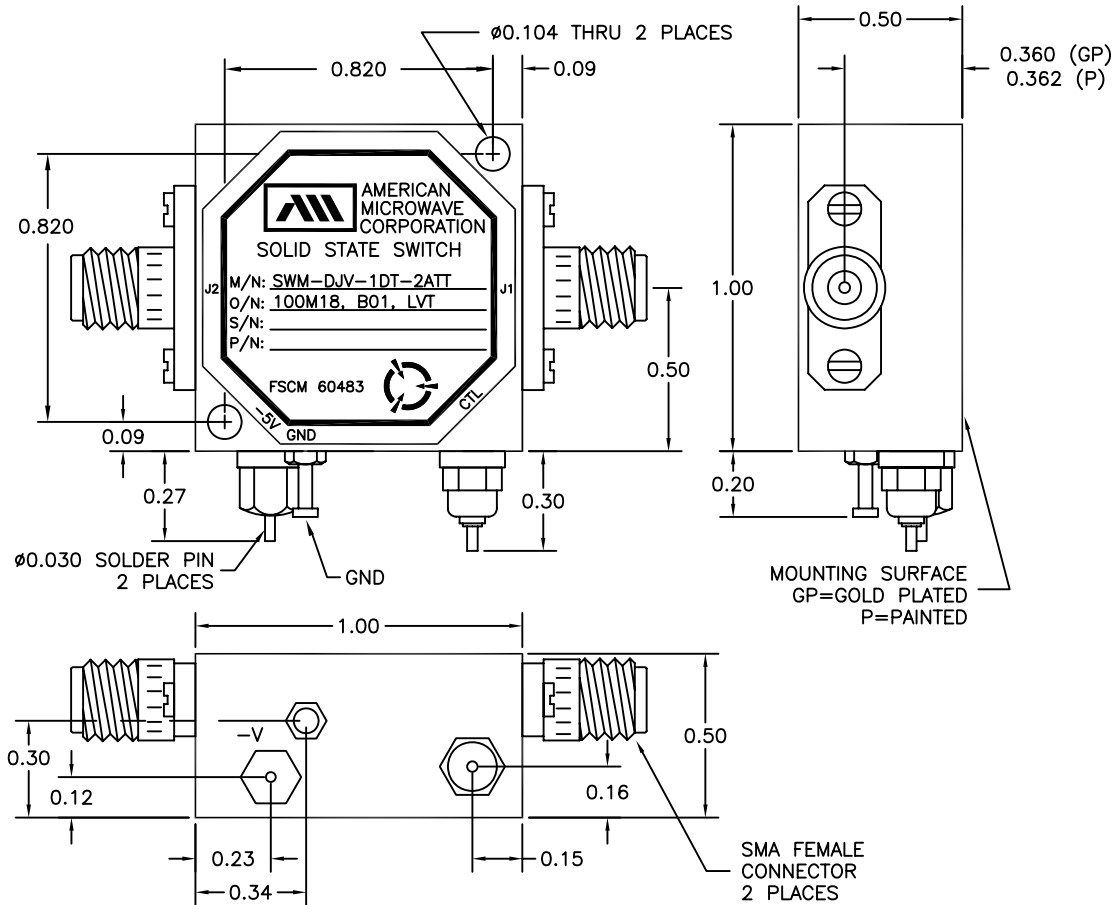
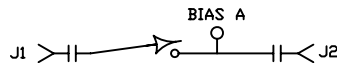
SPECIFICATIONS:

- FREQUENCY: 100MHz TO 18 GHz
- INSERTION LOSS: ABSORPTIVE: 4.5dB
- ISOLATION: 50dB MIN.
- VSWR: ABSORPTIVE IN/OUT: 2.0:1
ABSORPTIVE OUT/OFF: 2.0:1
- SPEED: RISE: 1ns TYPICAL, 2ns MAX.
FALL: 1ns TYPICAL, 2ns MAX.
DELAY ON: 12ns TYPICAL, 15ns MAX.
DELAY OFF: 12ns TYPICAL, 15ns MAX.
- VIDEO TRANSIENT: 20mV P-P @ 300MHz BANDWIDTH(2-20 GHz)
4mV P-P @ 20MHz BANDWIDTH(2-20 GHz)
150mV P-P @ 300MHz BANDWIDTH(DC-20 GHz)
50mV P-P @ 20MHz BANDWIDTH(DC-20 GHz)
- POWER INPUT: (CW)+17dBm (STANDARD),
- CONTROL: TTL LOGIC "0"=ON "1"=OFF (3.3V)
- POWER SUPPLY: -12V @ 25 mA MAX.

SPECIFICATIONS:

- 100M18 100MHz TO 18 GHz
- B01 -12V POWER SUPPLY
- LVT LOW VIDEO TRANSIENT

BLOCK DIAGRAM



ENVIRONMENTAL RATINGS:

- TEMPERATURE: -55°C TO +85°C (OPERATING)
-65°C TO +125°C (STORAGE)
- HUMIDITY: MIL-STD-202F, METHOD 103B COND. B
- SHOCK: MIL-STD-202F, METHOD 213B COND. B
- VIBRATION: MIL-STD-202F, METHOD 204D COND. B
- ALTITUDE: MIL-STD-202F, METHOD 105C COND. B
- TEMPERATURE CYCLE: MIL-STD-202F, METHOD 107D COND. A

ALL DIMENSIONS ARE IN INCHES
TOLERANCES:
X.XX ±0.020
X.XXX ±0.010

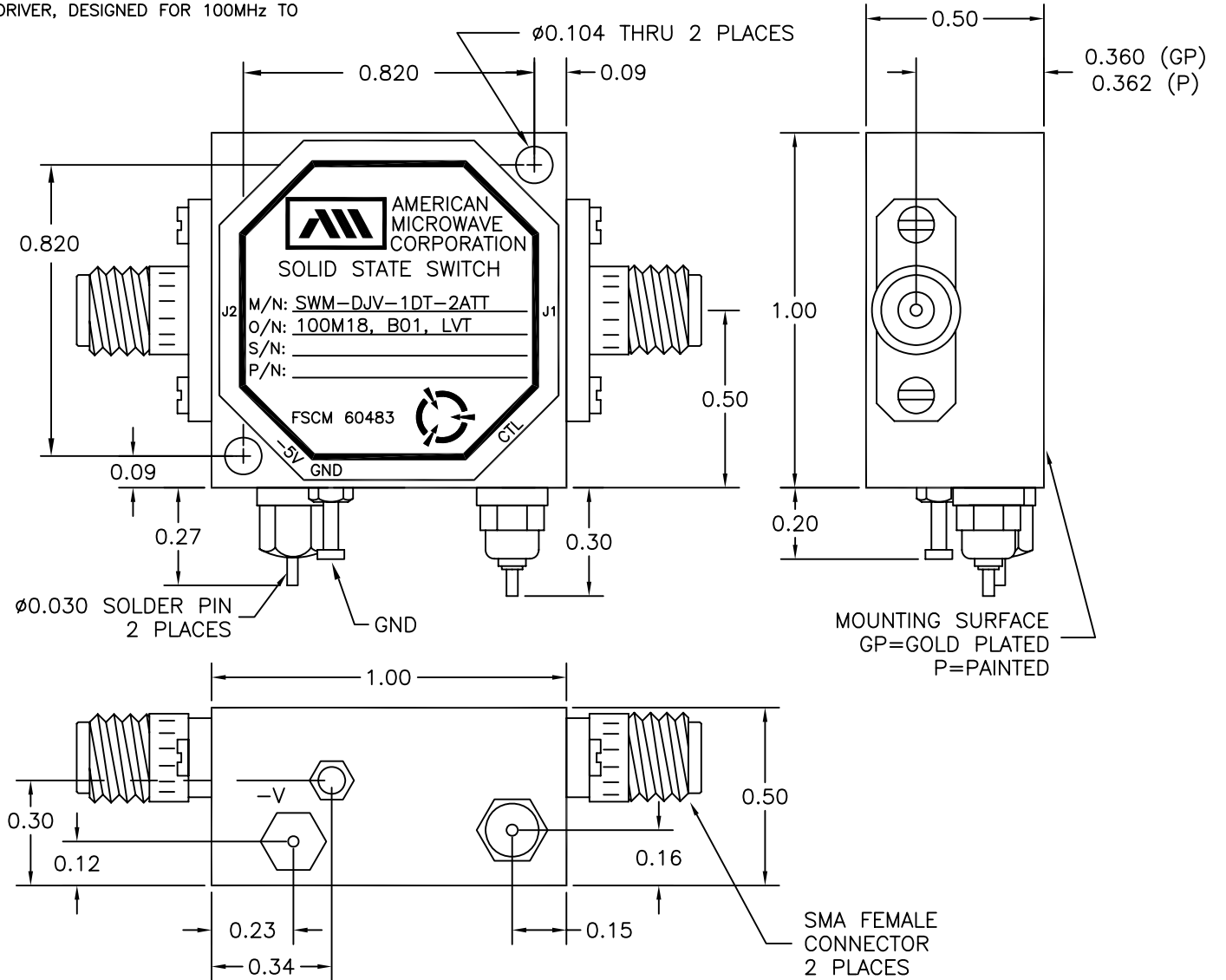
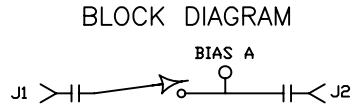
NOTE: SPECIFICATIONS WILL VARY OVER OPERATING TEMPERATURE
NOTE: THE ABOVE SPECIFICATIONS ARE SUBJECT TO CHANGE OR REVISION

APPROVALS		DATE	AMERICAN MICROWAVE CORPORATION FREDERICK, MARYLAND		
DRAWN <i>R. AFABLE</i>		10/31/08	TITLE PRODUCT FEATURE SWM-DJV-1DT-2ATT OPTION 100M18, B01, LVT		
CHECKED			SIZE A	FSCM NO. 60483	DWG NO. 100-5653-5
ISSUED			SCALE N/S		REV. A
					SHEET 1 of 3

DESCRIPTION:

AMC MODEL SWM-DJV-1DT-2ATT OPTION 100M18, B01 & LVT IS A SINGLE POLE SINGLE THROW, NON-REFLECTIVE/ABSORPTIVE SWITCH MODULE WITH VERY LOW VIDEO TRANSIENTS, ULTRA HIGH SPEED, HIGH ISOLATION, AND WITH INTEGRAL TTL DRIVER, DESIGNED FOR 100MHZ TO 18GHZ OPERATION.

REVISIONS				
ZONE	REV.	DESCRIPTION	DATE	APPROVED
	A	ORIGINAL RELEASE	10/31/08	



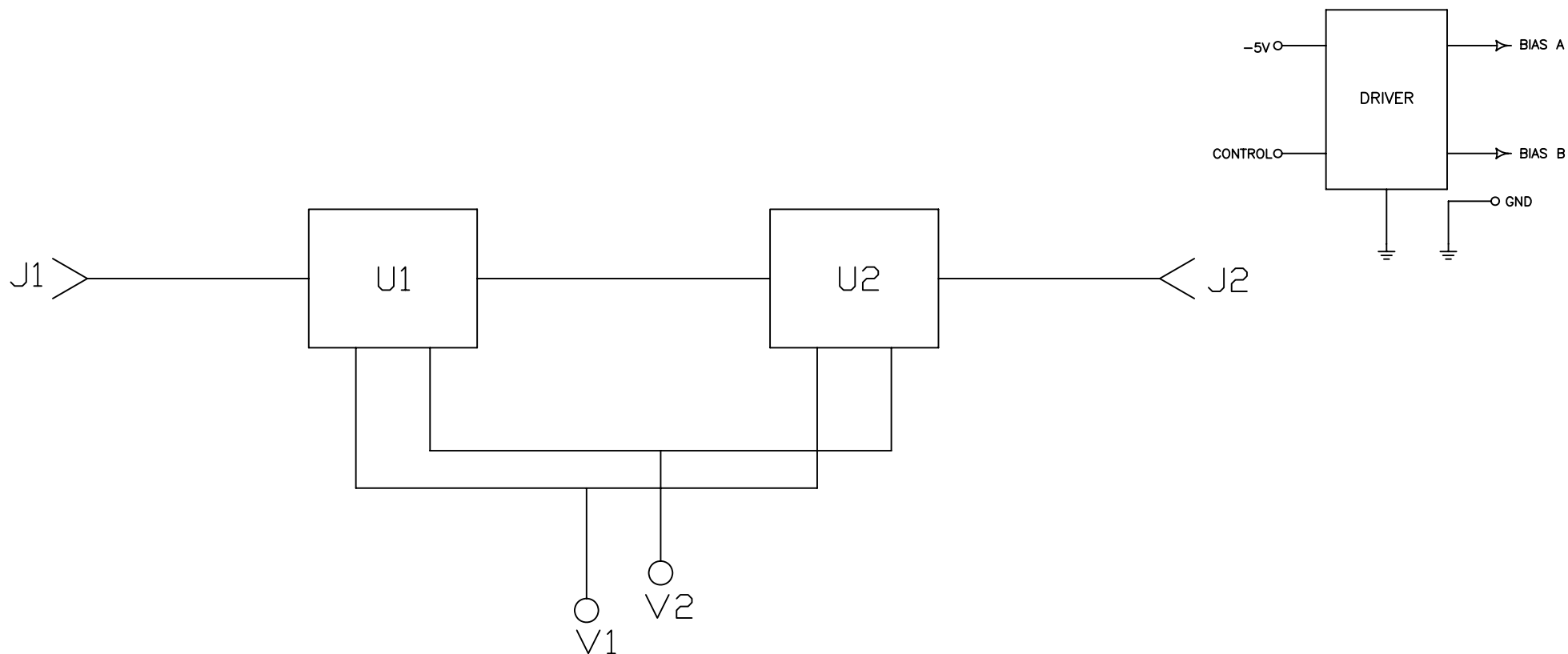
APPROVALS		DATE	AMERICAN MICROWAVE CORPORATION FREDERICK, MARYLAND	
DRAWN <i>R. AFABLE</i>		10/31/08	TITLE MECHANICAL OUTLINE SWM-DJV-1DT-2ATT OPTION 100M18, B01, LVT	
CHECKED			SIZE A	FSCM NO. 60483
ISSUED			DWG NO. 100-5653-5	REV. A
SCALE N/S			SHEET 2 of 3	

DESCRIPTION:


AMC MODEL SWM-DJV-1DT-2ATT OPTION 100M18, B01, & LVT IS A SINGLE POLE SINGLE THROW, NON-REFLECTIVE/ABSORPTIVE SWITCH MODULE WITH VERY LOW VIDEO TRANIENTS, ULTRA HIGH SPEED, HIGH ISOLATION, AND WITH INTEGRAL TTL DRIVER, DESIGNED FOR 100MHZ TO 18GHZ OPERATION.

REVISIONS				
ZONE	REV.	DESCRIPTION	DATE	APPROVED
	A	ORIGINAL RELEASE	10/31/08	

FUNCTIONAL SCHEMATIC:



AMC CONFIDENTIAL AND PROPRIETARY

APPROVALS		DATE	 AMERICAN MICROWAVE CORPORATION FREDERICK, MARYLAND	
DRAWN	<i>R. AFABLE</i>	10/31/08	TITLE PRODUCT FEATURE SWM-DJV-1DT-2ATT OPTION 100M18, B01, LVT	
REDRAWN			SIZE	FSCM NO.
CHECKED			A	60483
ISSUED			DWG NO.	100-5653-5
			SCALE	N/S
			SHEET	3 of 3