

## DESCRIPTION

AMC MODEL SWN-WSP-1DR-118-HPM IS A SINGLE POLE SINGLE THROW REFLECTIVE SWITCH DESIGNED TO OPERATE BETWEEN 0.5 TO 18GHz USING SMA CONNECTORS.

## SPECIFICATIONS

- FREQUENCY RANGE: . . . . . 0.5 TO 18 GHz
- INSERTION LOSS: . . . . . 1.5 dB MAXIMUM
- ISOLATION: . . . . . 70 dB MINIMUM
- VSWR: . . . . . 1.5:1 MAXIMUM
- SPEED: . . . . . RISE: 6ns TYP., 10ns MAX.  
FALL: 6ns TYP., 10ns MAX.  
DELAY ON: 40ns TYP., 50ns MAX.  
DELAY OFF: 40ns TYP., 50ns MAX.
- CONTROL: . . . . . TTL LOW: INSERTION LOSS  
TTL HIGH: ISOLATION
- POWER SUPPLY: . . . . . +5V @ 75 mA MAXIMUM  
-5V @ 60 mA MAXIMUM
- CONNECTORS:  
RF: . . . . . SMA

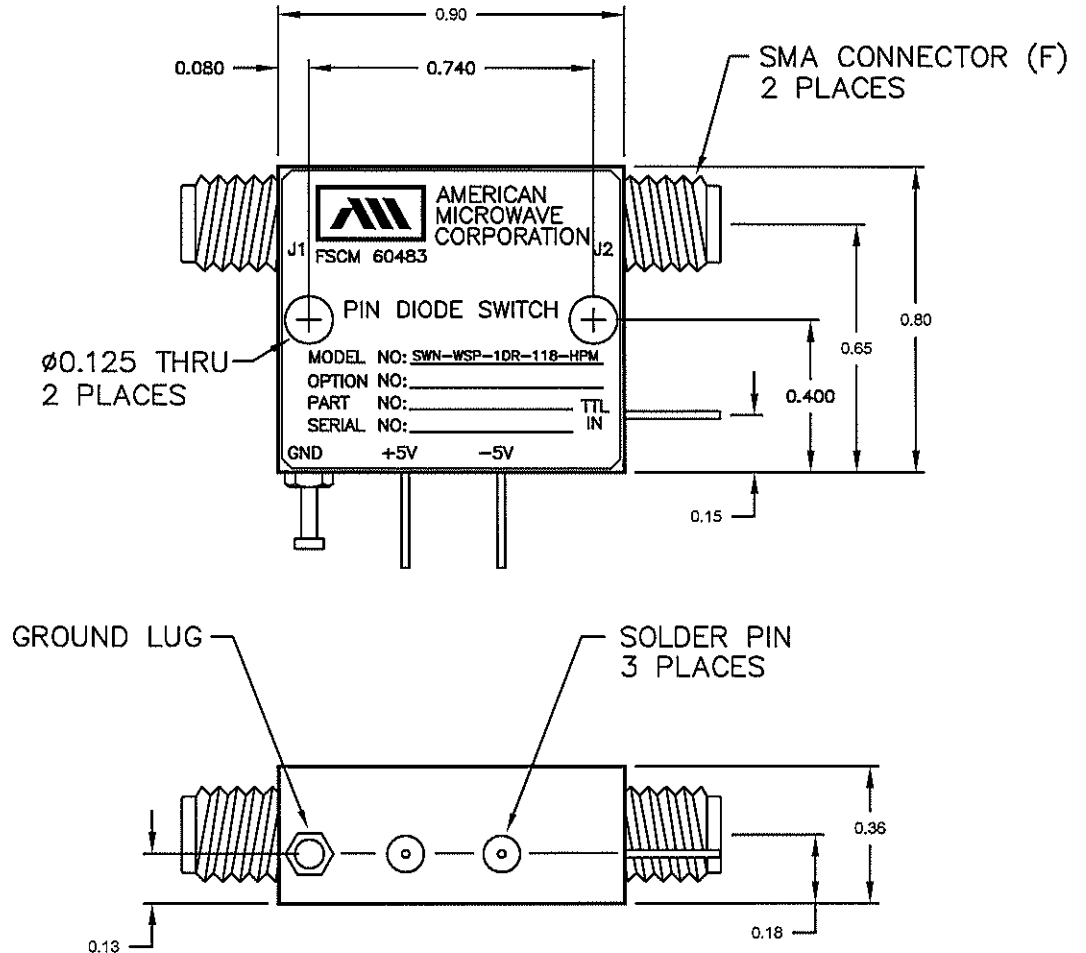
## ENVIRONMENTAL RATINGS:

- TEMPERATURE: . . . . . -55°C TO +85°C (OPERATING)  
-65°C TO +125°C (STORAGE)
- HUMIDITY: . . . . . MIL-STD-202F, METHOD 103B COND. B
- SHOCK: . . . . . MIL-STD-202F, METHOD 213B COND. B
- VIBRATION: . . . . . MIL-STD-202F, METHOD 204D COND. B
- ALTITUDE: . . . . . MIL-STD-202F, METHOD 105C COND. B
- TEMPERATURE CYCLE: . . . . . MIL-STD-202F, METHOD 107D COND. A

NOTE: THE ABOVE SPECIFICATIONS ARE SUBJECT TO CHANGE OR REVISION

ALL DIMENSIONS ARE IN INCHES  
TOLERANCES:  
X.XX ±0.020  
X.XXX ±0.010

REVISIONS				
ZONE	REV.	DESCRIPTION	DATE	APPROVED
	-	ORIGINAL RELEASE	8/1/08	<i>[Signature]</i>



M/N: = MODEL NUMBER  
O/N: = OPTION NUMBER  
S/N: = SERIAL NUMBER  
P/N: = PART NUMBER

## AMERICAN MICROWAVE CORPORATION

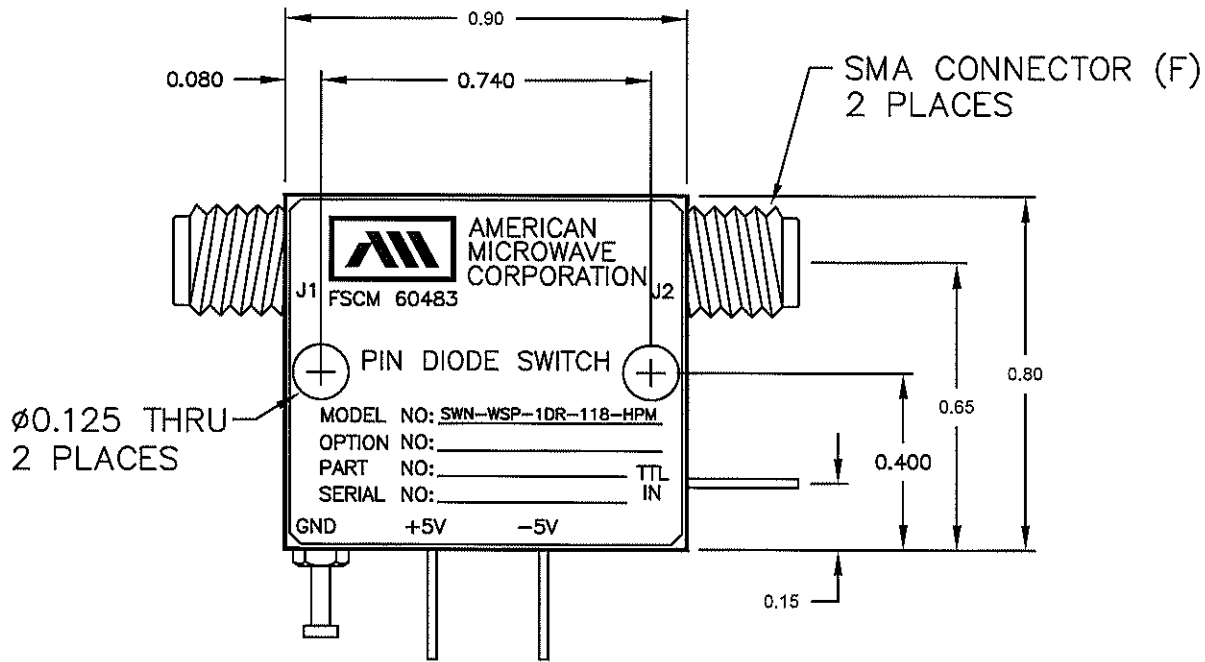
7311-G GROVE ROAD  
FREDERICK, MARYLAND 21704 USA  
TEL: 301-662-4700 FAX: 301-662-4938  
WEBSITE: [www.americanmicrowavecorp.com](http://www.americanmicrowavecorp.com)  
E-MAIL: [sales@americanmicrowavecorp.com](mailto:sales@americanmicrowavecorp.com)  
ISO 9001:2000 CERTIFIED



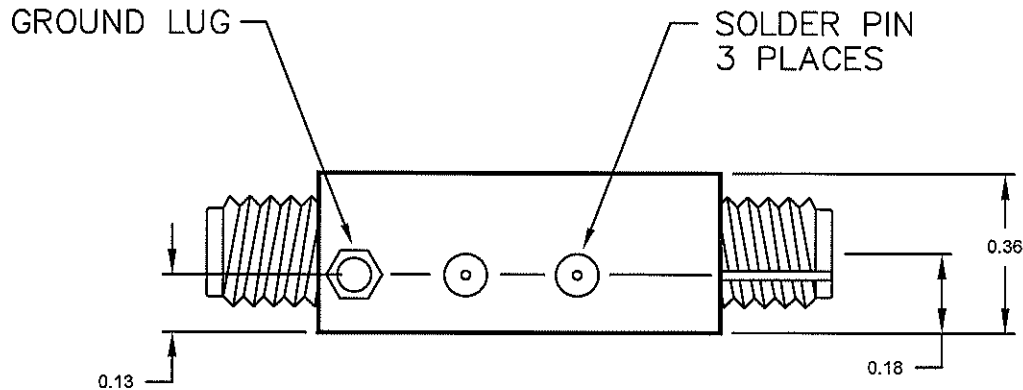
APPROVALS		DATE	TITLE		
DRAWN	<i>KMP</i>	8/1/08	PRODUCT FEATURE SWN-WSP-1DR-118-HPM 0.5 - 18 GHz, SINGLE POLE SINGLE THROW SWITCH		
REDRAWN	<i>PA</i>	8/1/08	SIZE	FSCM NO.	DWG NO.
ISSUED			A	60483	100-7797
			SCALE	N:S	SHEET 1 OF 2

**DESCRIPTION**

AMC MODEL SWN-WSP-1DR-118-HPM IS A SINGLE POLE SINGLE THROW REFLECTIVE SWITCH DESIGNED TO OPERATE BETWEEN 0.5 TO 18GHz USING SMA CONNECTORS.



MECHANICAL OUTLINE



ALL DIMENSIONS ARE IN INCHES  
TOLERANCES:  
X.XX ±0.020  
X.XXX ±0.010

**AMERICAN MICROWAVE CORPORATION**

7311-G GROVE ROAD  
FREDERICK, MARYLAND 21704 USA  
TEL: 301-662-4700 FAX: 301-662-4938  
WEBSITE: [www.americanmicrowavecorp.com](http://www.americanmicrowavecorp.com)  
E-MAIL: [sales@americanmicrowavecorp.com](mailto:sales@americanmicrowavecorp.com)  
ISO 9001:2000 CERTIFIED



APPROVALS		DATE	TITLE			
DRAWN	<i>KMS</i>	8/1/08	PRODUCT FEATURE SWN-WSP-1DR-118-HPM 0.5 - 18 GHz, SINGLE POLE SINGLE THROW SWITCH			
REDRAWN	<i>MP</i>	8/1/08	SIZE	FSCM NO.	DWG NO.	REV.
ISSUED			A	60483	100-7797	-
			SCALE	N:S	SHEET	2 OF 2